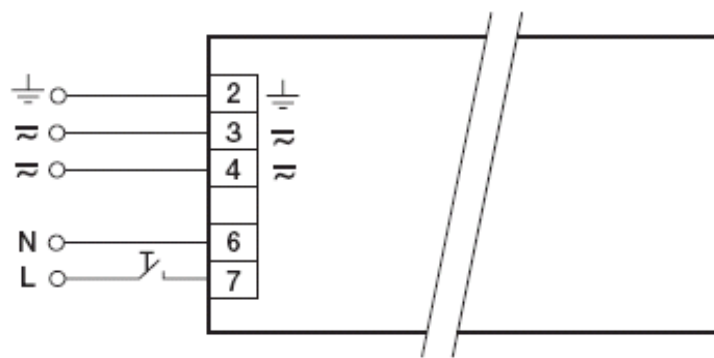
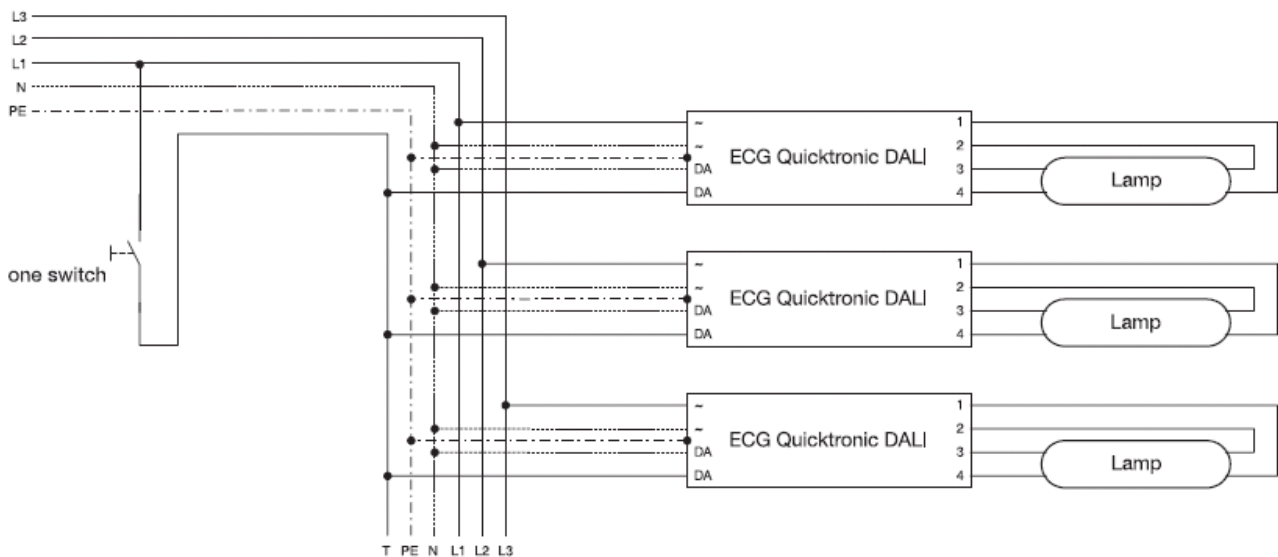


DSI PCA ECO



switchDIM PCA ECO



Wiring for one-switch operation, Touch DIM